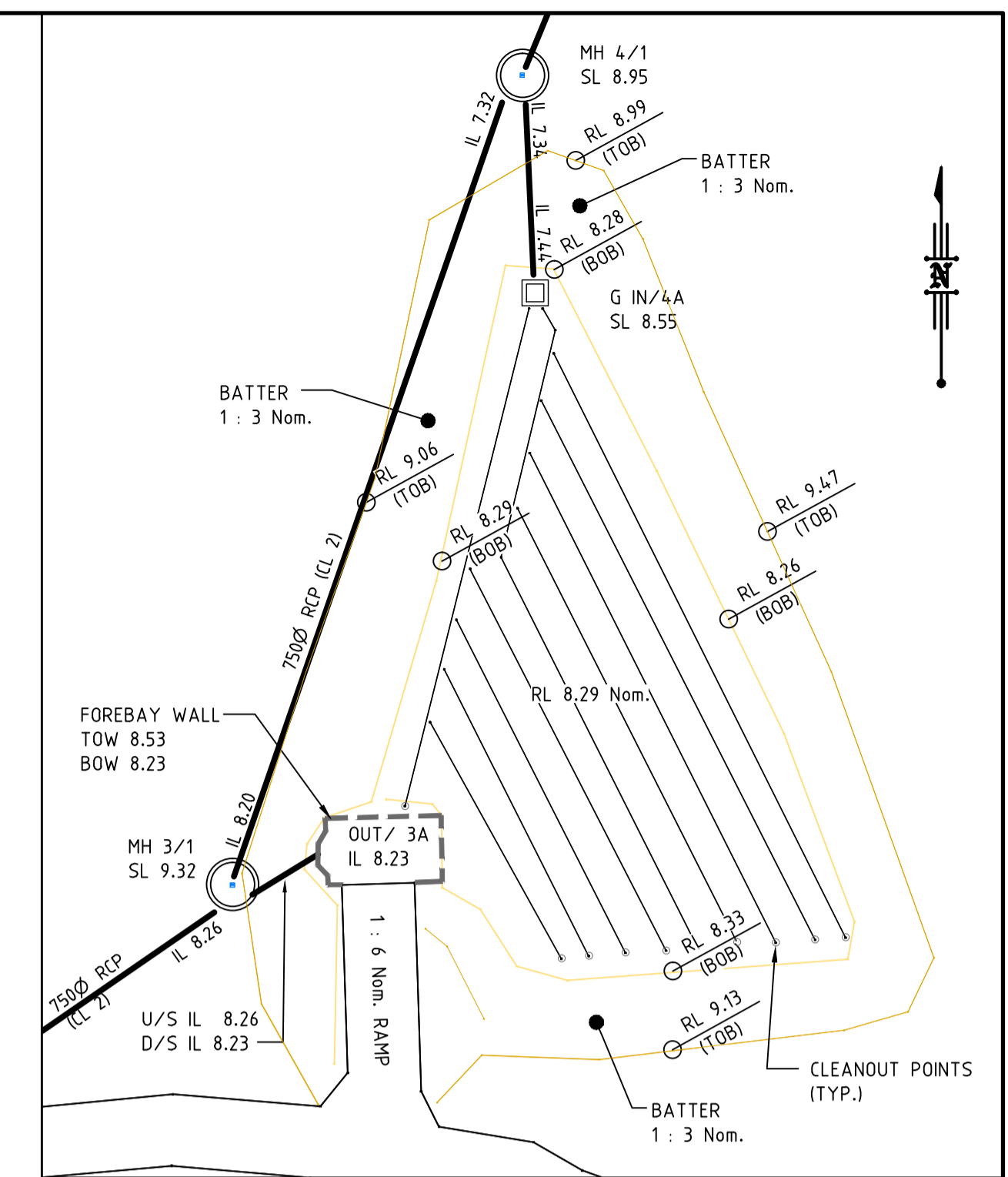


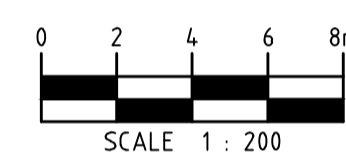
STRUCTURE #	STRUCTURE TYPE
G 1/1	STD RCC TYPE 'A' GULLY 2.4m Lintel, Type 'S'; 1:40
G 1A/1	STD RCC TYPE 'A' GULLY 2.4m Lintel, Type 'S'; 1:40
G 3/1	STD RCC TYPE 'S' SINGLE SAG GULLY TWO DIRECTION APPROACH
G 3/1	STD RCC TYPE 'S' SINGLE SAG GULLY TWO DIRECTION APPROACH
MH 1/1	STD RCC MANHOLE 1500mm DIAMETER EXTENDED 600mm
MH 2/1	STD RCC MANHOLE 1500mm DIAMETER EXTENDED 600mm
MH 3/1	STD RCC MANHOLE 1500mm DIAMETER
MH 4/1	STD RCC MANHOLE 1500mm DIAMETER
OUT/1	OUTLET HEADWALL IN ACCORDANCE WITH RCC STD. DWG. 1027
G 4/3	STD RCC TYPE 'A' GULLY 2.4m Lintel, Type 'S'; 1:40
G 6/3	STD RCC TYPE 'A' GULLY 2.4m Lintel, Type 'S'; 1:40
MH 1/3	STD RCC MANHOLE 1050mm DIAMETER
G 5/4	STD RCC TYPE 'A' GULLY 2.4m Lintel, Type 'S'; 1:40
IN/2	900 x 600 FIELD INLET DOME TYPE COVER RCC STD DWG D-RCC-18
G 2/2	STD RCC TYPE 'S' SINGLE SAG GULLY TWO DIRECTION APPROACH
G IN/4A	FIELD INLET (TYPE 1) REFER TO IMAEQ STD. DWG. D-0050
OUT/3A	OUTLET HEADWALL IN ACCORDANCE WITH RCC STD. DWG. 1027



ALL PIPE MATERIALS ARE AS FOLLOWS U.N.O.
 • $\le 375\phi$ - uPVC CLASS "SH"
 • >math>375\phi</math> - RCP CLASS 2
 REFER TO MARKED UP DESIGN AS-CONSTRUCTED
 PLANS FOR STRUCTURE TYPES

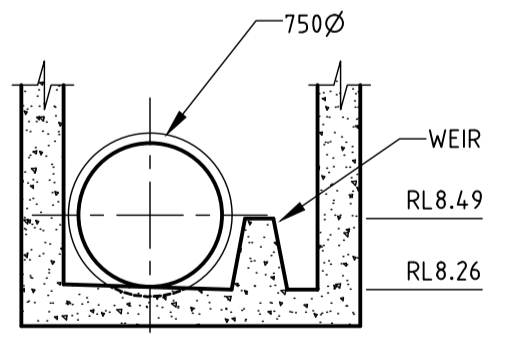
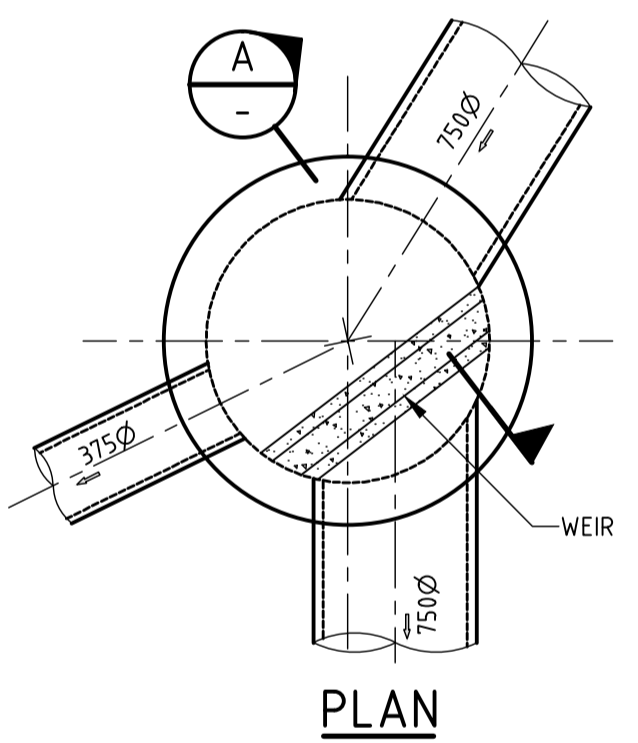


BIO-RETENTION BASIN



LEGEND

	STORMWATER DRAINAGE
	STORMWATER DRAINAGE MANHOLE & GULLY PIT
	ROOFWATER DRAINAGE (CLASS 2 FRC U.N.O.)
	ROOFWATER PIT
	ROOFWATER HC LEVELS AT POINT OF CONNECTION



SECTION A
NTS

WORKS AS CONSTRUCTED
 IT IS CERTIFIED THAT THE LOCATION, LEVELS AND DIMENSIONS OF THE
 INFRASTRUCTURE SHOWN HEREIN ARE A TRUE REPRESENTATION OF THE
 CONSTRUCTED WORKS AND THAT THE AS-CONSTRUCTED SURVEY WAS
 PERFORMED TO THE PRESCRIBED ACCURACY STANDARDS.

Signature (Director) Date 16/3/2016

Signature (Director)

COTTRELL CAMERON & STEEN SURVEYS Pty. Ltd.

WORKS AS CONSTRUCTED
 IT IS CERTIFIED THAT WORKS HEREIN HAVE BEEN CONSTRUCTED TO LOCAL GOVERNMENT
 STANDARDS, RELEVANT APPROVED SPECIFICATIONS AND THE OPERATIONAL WORKS APPROVAL.
 THE AS-CONSTRUCTED DRAWINGS FOR THESE WORKS CONSTITUTES A TRUE AND CORRECT
 RECORD OF THE WORKS CONSTRUCTED AND COMPLIES WITH THE DESIGN INTENT.

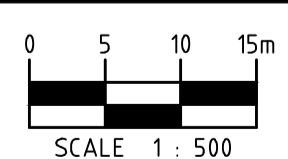
Signature RPEQ No. 15957

CRAIG HURLEY

Date of Practical Completion 19-10-2015

FOR AND ON BEHALF OF
 LAMBERT & REHBEIN (SEQ) PTY. LTD.

STORMWATER DRAINAGE AS CONSTRUCTED PLAN SHEET 1 OF 2



Associated Consultants: COTTRELL CAMERON & STEEN SURVEYS Pty Ltd 107 MILES PLATING ROAD EIGHT MILES PLAINS Qld 4113	Phone: (07) 334 09700 Fax: (07) 3862 6210			
R.P.D. Lot 2 R.P. 98600 Parish of REDLAND County of STANLEY LEVEL DATUM A.H.D. DERIVED P.S.M. 97804 R.L. 11.656				
No.	Date	By	Amendment	Checked
B	15-03-16	R.T.	REVISED AS CONSTRUCTION ISSUE	
A	12-01-16	R.T.	AS CONSTRUCTED ISSUE	

LAMBERT & REHBEIN ENGINEERS • MANAGERS • SCIENTISTS	
CBD HOUSE LEVEL 3, 120 WICKHAM STREET FORTITUDE VALLEY QLD 4006 P.O. BOX 112 FORTITUDE VALLEY QLD 4006 A.C.N. 010 451 902	
TELEPHONE (07) 3250 9000 FACSIMILE (07) 3250 9001 EMAIL mail@lar.net.au	

Project: PROPOSED RESIDENTIAL SUBDIVISION 58-98 DONALD ROAD REDLAND BAY - STAGE 5	Client: Harridan Pty Ltd
Title: STORMWATER DRAINAGE AS CONSTRUCTED PLAN SHEET 1 OF 2	Draftsperson: R.T. Designer: R.T. Scale: AS SHOWN
Checked: D.L. Approved: A. PEZZUTTI RPEQ No: 6382	Sheet Size: A1 Drawing No.: B02553-C554
Date: DEC 2015	A B

RCC Ref: OPW001621 PREVIOUS RCC App. Ref. EC005056.5 CURRENT RCC App. Ref. ROL005647
--

Associated Consultants: COTTRELL CAMERON & STEEN SURVEYS Pty Ltd 107 MILES PLATING ROAD EIGHT MILES PLAINS Qld 4113 Phone: (07) 334 09700 Fax: (07) 3862 6210	R.P.D. Lot 2 R.P. 98600 Parish of REDLAND County of STANLEY LEVEL DATUM A.H.D. DERIVED P.S.M. 97804 R.L. 11.656
--	--